



## SHIFT AEC SPECIFICATION

# PLUG & PLAY ACTIVE ELECTRICAL CABLE for In-Rack Ethernet Applications in NIC-TOR

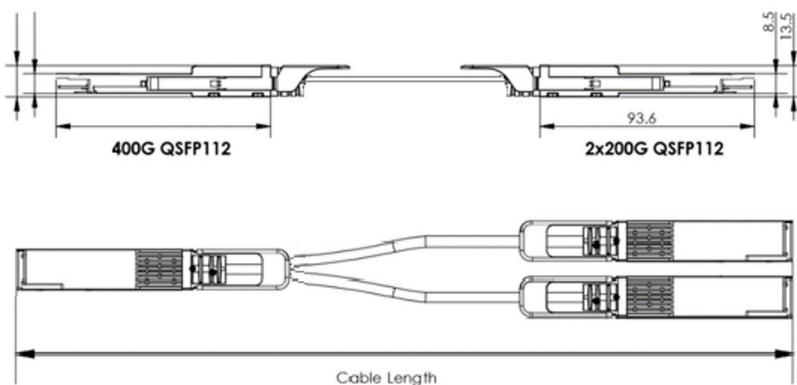
## 400G QSFP112 PAM4 to 2x200G QSFP112 PAM4

### Credo's HiWire™ SHIFT Active Electrical Cable (SHIFT AEC)

A reliable, plug & play replacement of Active Optical Cable (AOC) for high-speed interconnects. Intended for rack-to-rack connectivity, these cables support up to 2.75m reach, consume up to 75% less power than optics, cost up to 50% less than optics, and offer a 10- year service life.

### Credo's CAC4XX321N2N-C1-HW HiWire SHIFT AEC

Designed for telecom and data center use. It can sustain 4 lanes of 112G PAM4 signal in each direction and provides a breakout function to 2x112G QSFP112 connectors with software selectable 1x200G operation. The use and replacement of CAC4XX321N2N-C1-HW AEC is simple and straightforward as it adopts standard QSFP112 form factor and complies to MSA specifications.



## Features

The following are the key features of the HiWire SHIFT AEC:

- Recognizable, purple PET braided jacket
- 400G to 2X200G data rate  
200G side 2x112G
- CMIS compliant
- Single 3.3V power supply
- Typ. 10W power dissipation per 400G side; 5W per 400G side
- $BER < 10^{-15}$  (post FEC)
- Hot pluggable
- RoHS2 compliant
- I<sup>2</sup>C management interface
- Operating case temperature range: 0 to +70°C

## Supported Standards and Interfaces

- Common Management Interface Specification (CMIS) v4.0
- QSFP112 MSA v4.0

## Key Features

Parameter	Value
Module Form Factor	QSFP112
Number of Data Lanes	400G Side: 4 TX and 4 RX per module (PAM4) 2X200G Side: 2x 2 TX and 2 RX per module (PAM4)
Maximum Aggregate Data Rate	400Gbps
Nominal Data Rate per Lane	400G Side: 112Gbps (PAM4) 2x200G Side: 112Gbps (PAM4)
Electrical Interface and Pin-out	38-pin edge connector
Pin Description	Per QSFP112 Hardware Specification
Management Interface	I <sup>2</sup> C, serial, timing per Common Management Interface Specification for 8X/16X Pluggable Transceivers
Length of Copper AEC	1.0m – 2.75m
BER (Pre-FEC)*	Typ. <10 <sup>-8</sup>
BER (Post-FEC)*	<10 <sup>-15</sup>

\* Tested with QPRBS31 pattern

## Product Selections

Part Number	Length	AWG	Weight
CAC4XX321N2N-C1-HW	1.0-2.75m	32	350-550g

- Length available in 0.5m increment
- Weight increases by 50g for every 0.5m increment

## Mechanicals

Parameter	Cable Type	Typical
Diameter	2X4P 32AWG	6.0mm
Min. bend radius	2X4P 32AWG	18mm

For more information please visit [www.credosemi.com](http://www.credosemi.com)  
or email [sales@credosemi.com](mailto:sales@credosemi.com)

© 2023 Credo Semiconductor, Inc. All Rights Reserved. Credo Semiconductor Inc. and the Credo logo are trademarks of Credo Semiconductor Inc. All other marks are the property of their respective owners. This document is for information only. Specifications are subject to change without notice. REV 090524

